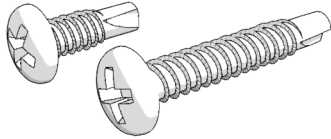




Double Screen Door Installation Instructions

- (36) #8x1" tek screws
- (20) #8x1/2" tek screws



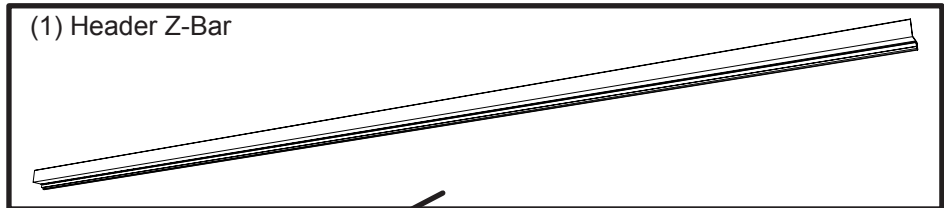
- Package Includes:**
- (2) PCA Screen Doors
 - (1) Astragal
 - (1) Left Hand Z-bar
 - (1) Right Hand Z-bar
 - (1) Header Z-bar

- (2) Piano Hinge/Side Expander
- (2) Adjustable Bug Sweeps
(Includes Bug Sweep Channel and Wool Pile)
- (36) #8x1" TEK Screws
- (20) #8x1/2" TEK Screws

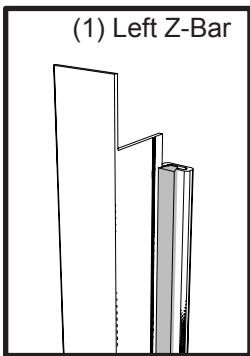
Not Shown:

- (1) Door Handle and Closer Kit

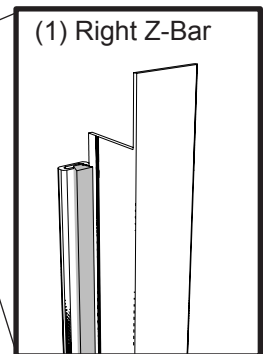
(1) Header Z-Bar



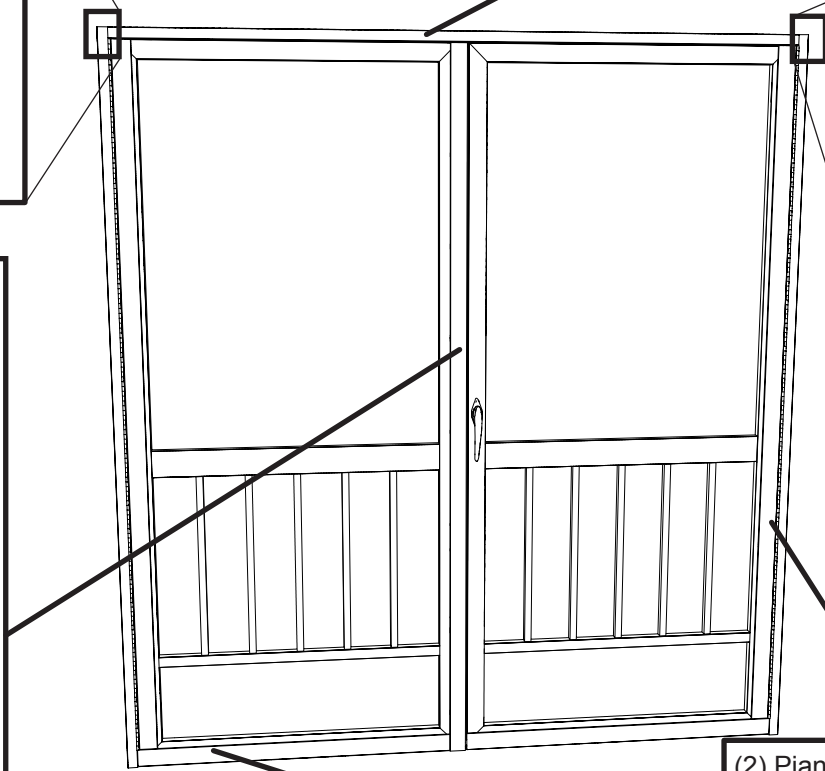
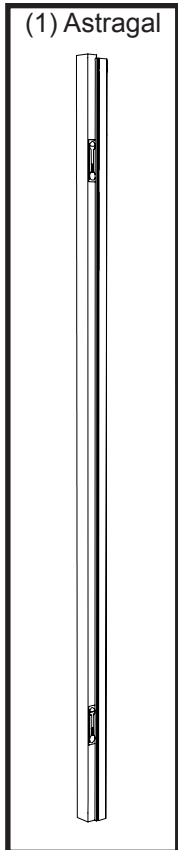
(1) Left Z-Bar



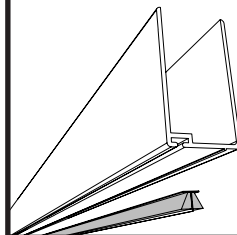
(1) Right Z-Bar



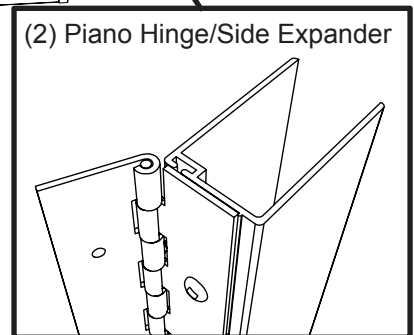
(1) Astragal



(2) Bug Sweep Channel
(2) Bug Sweep Wool Pile

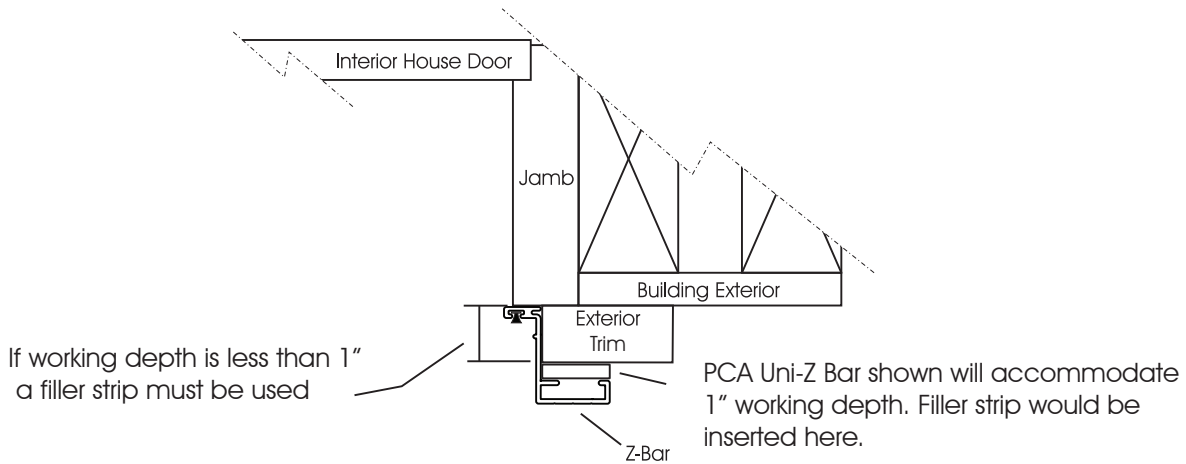


(2) Piano Hinge/Side Expander



Before You Begin!

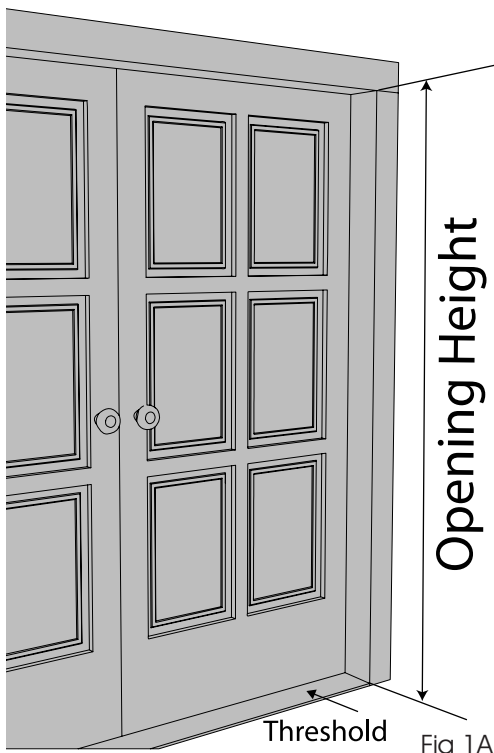
1. Are you installing a **LEFT HAND** or **RIGHT HAND** door? This kit can be used for left or right hand installations. These instructions show a **RIGHT HAND** installation.
2. Do you need to use a **FILLER STRIP**? If working depth is less than 1" you will need to install a filler strip. Filler strip kit available from PCA Products.



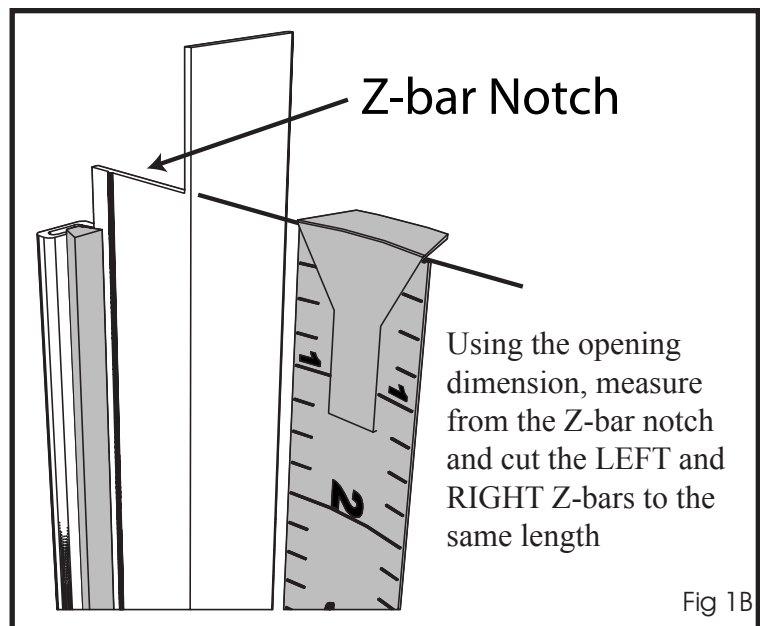
PCA Screen Door Installation

Step 1: Cut Left and Right Z-Bar to length

Facing the house from the outside, measure the height of the opening from the top of the door opening, to the top of the threshold (Fig 1A). Using that dimension, measure from the Z-bar notch and cut the **LEFT** and **RIGHT** Z-bars to the same length (Fig 1B). Keep this dimension handy as it will be needed later.



Opening Height = _____"



Step 2: Install Left and Right Z-Bar

A: Install Left Side Z-Bar

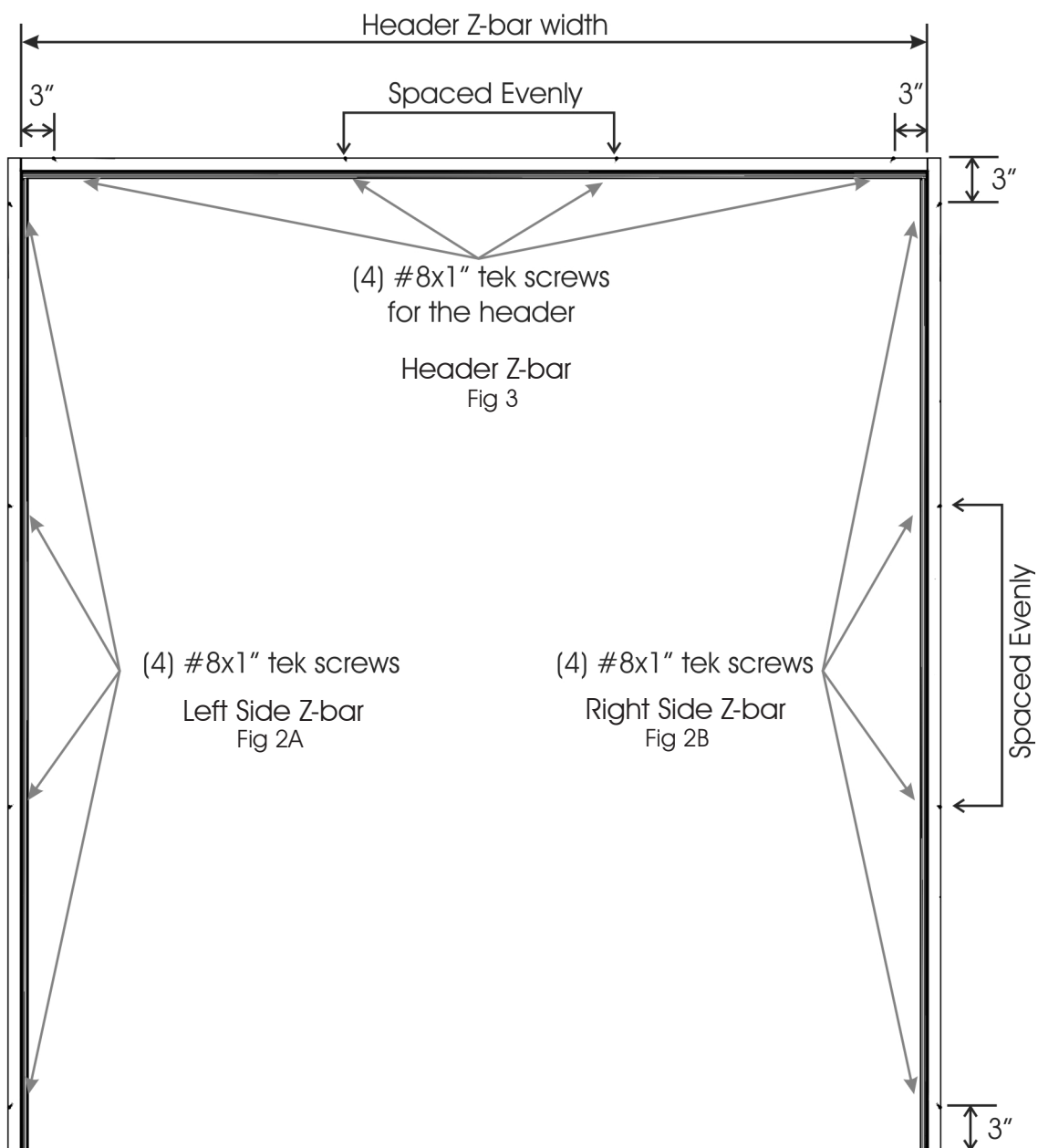
Fasten the left side Z-bar with a total of (4) #8x1" tek screws (Fig 2A).

B: Install Right Side Z-Bar

Follow the same procedure as the left side Z-bar (Fig 2B)

Step 3: Cut and Install Header Z-Bar

Measure from Left Z-bar to Right Z-bar and cut header Z-bar to length (Fig 3). Fasten Z-Bar Header into place with (4) #8x1" tek screws (Fig 3).



Step 4: Cut Side Expander/Piano Hinges

Mark both side expander/piano hinge assembly using your opening height from Step 1, **MINUS 2-1/4"** to accommodate Adjustable Bug Sweep. Cut the side expander/piano hinge assembly to length.

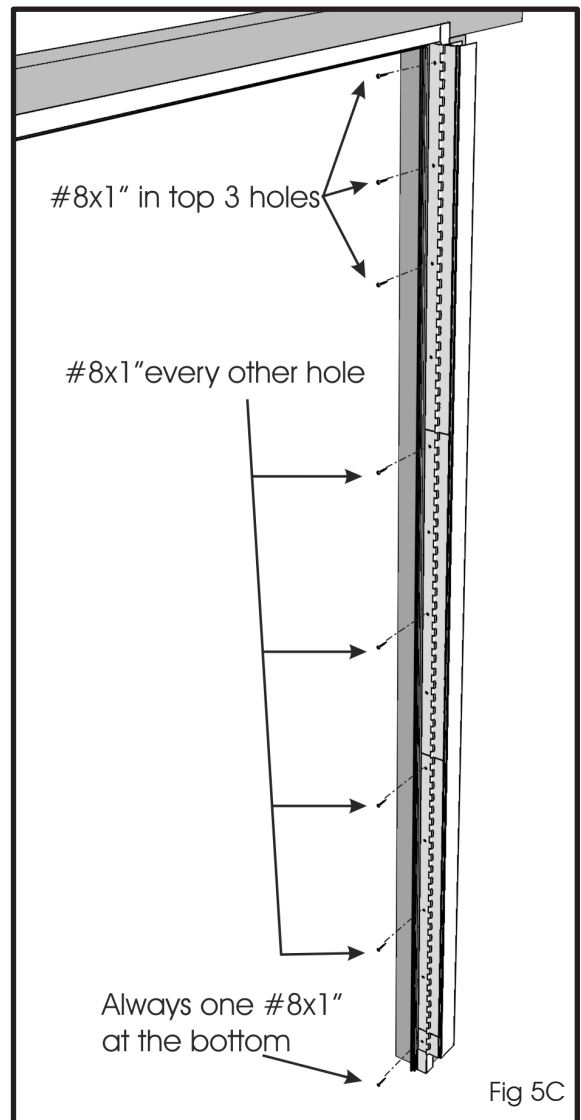
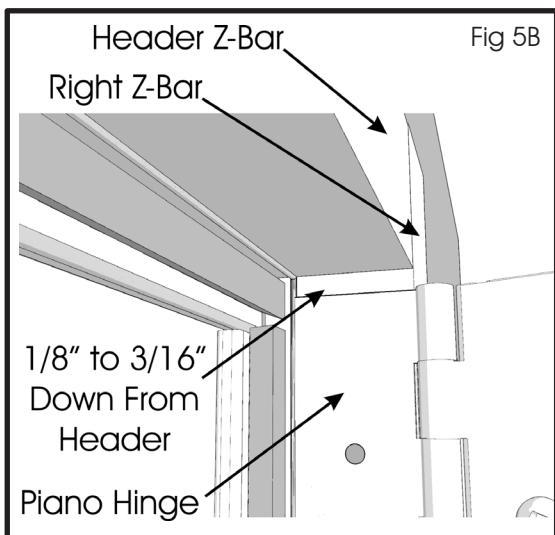
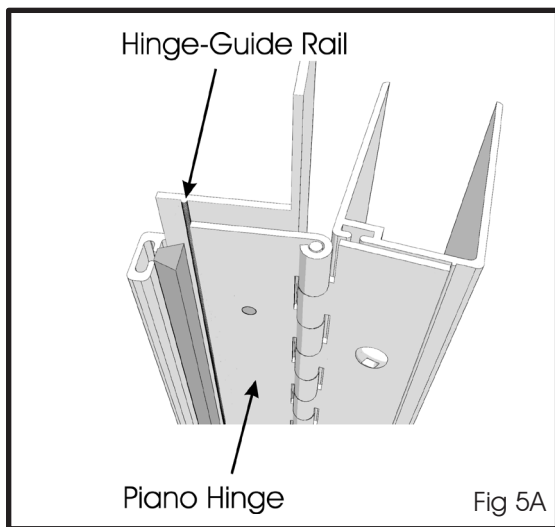
Step 5: Install Side Expander/Piano Hinge Assemblies

A: Install Right Side Expander/Piano Hinge Assembly

Open the piano hinge and place it against right side Z-Bar "Hinge-guide Rail" (Fig 5A), down 1/8" to 3/16" from the Z-Bar header. This measurement will determine your final reveal (Fig 5B). Use #8x1" screws in the top three holes, and then every other hole to secure the hinge. Always be sure there is a screw in the last hole (Fig 5C). You could use (9) - (11) #8x1" screws depending on actual door size.

B: Install Left Side Expander/Piano Hinge Assembly

Follow the same procedure as the Right Side Expander/Piano Hinge



Step 6: Install Doors Into Side Expander -

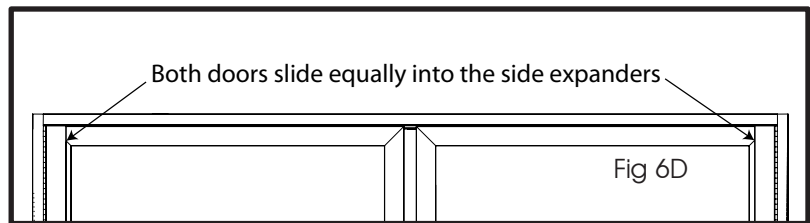
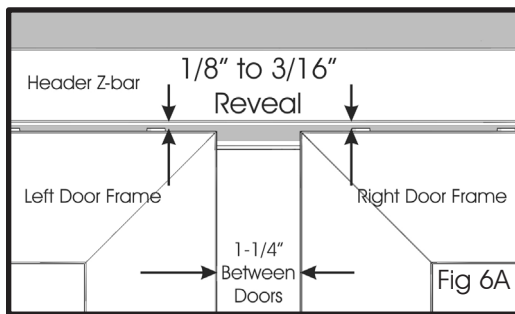
Door can be installed with screen side facing in or out. Decorative grills are more visible when viewing from the outside if the screen faces in.

A: Slide door frame into side expander (Fig 6B) being sure that the top of the door frame is flush with the top of the side expander (Fig 6C).

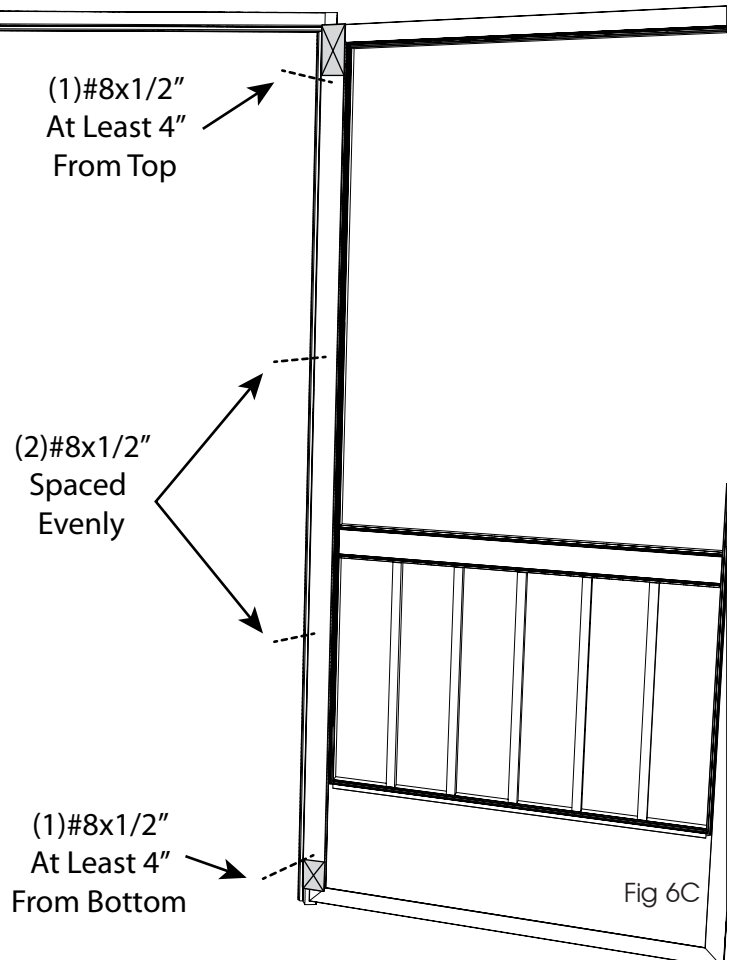
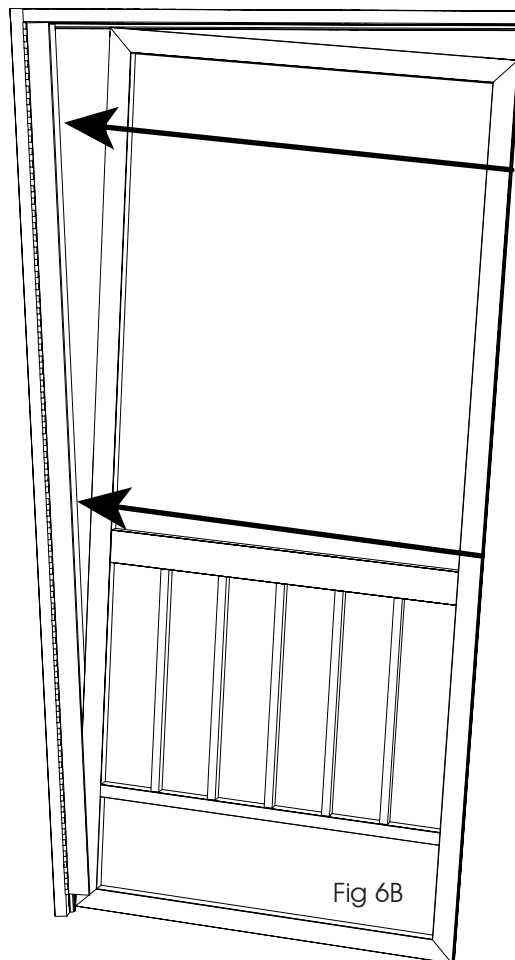
B: Adjust doors to achieve a $1/8''$ - $3/16''$ reveal on the top, and a $1-1/4''$ space in the center between the doors (Fig 6A). The doors should both be slid into the side expanders an equal amount on both sides (Fig 6D).

C: Fasten the doors to the side expanders with a total of (4) #8x $1/2''$ tek screws per door.

IMPORTANT: Stay at least 4 inches from top and bottom of door frame to avoid hitting internal corner key! (Fig 6C)



Door Frame Flush With Top Of Side Expander

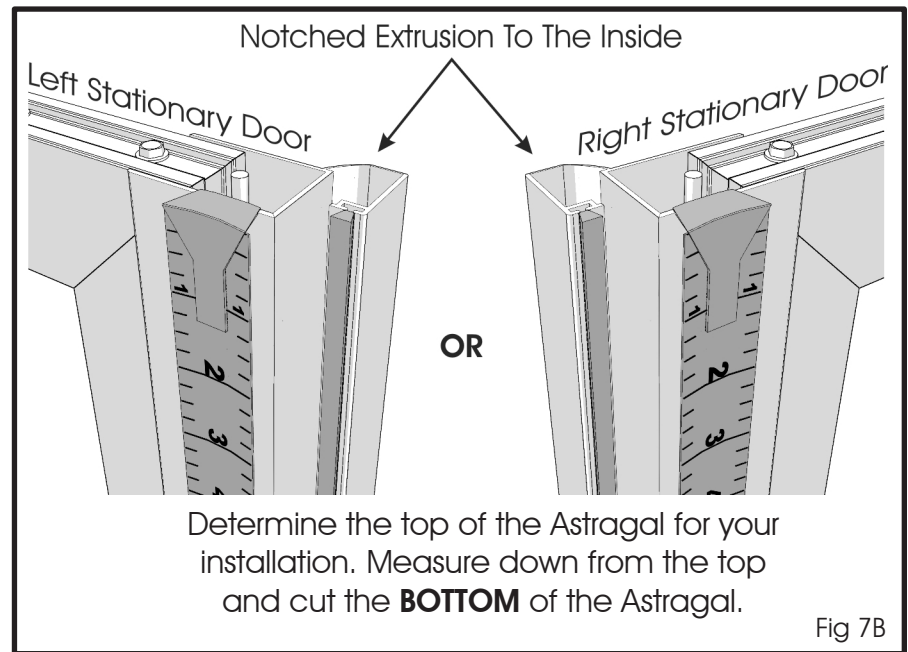
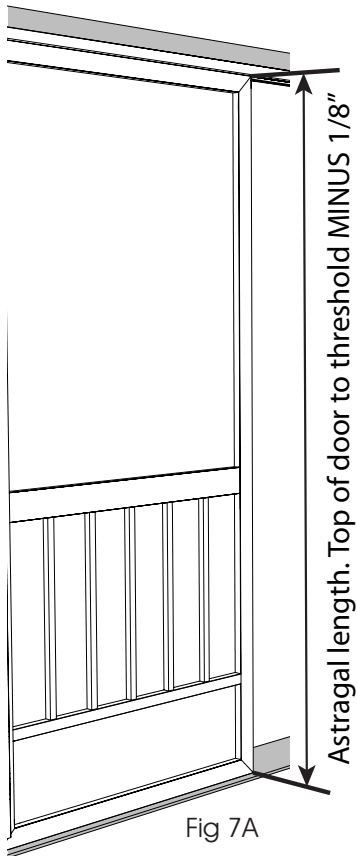


Step 7: Cut and Install Astragal

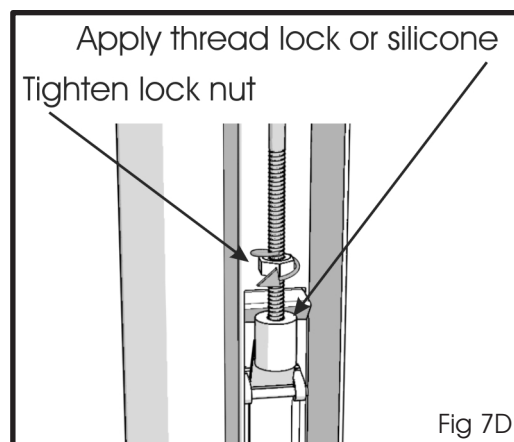
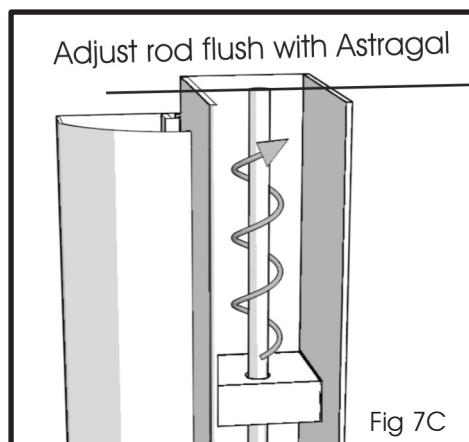
Determine which door is to be the stationary door and begin installation.

A: Close stationary door and measure from the top of the door to the top of the threshold MINUS 1/8" (Fig 7A).

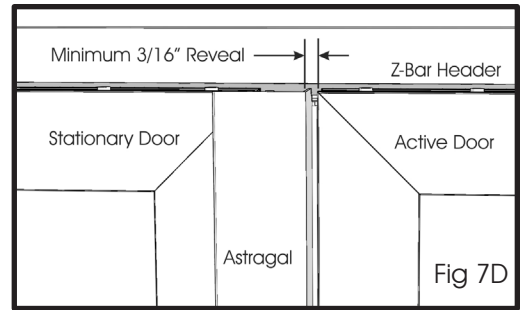
B: It is **EXTREMELY** important to identify the proper end of the Astragal to cut for your installation. Place the Astragal against the stationary door as shown for a left or right installation to correctly identify the top. Measure down from the top and cut the **BOTTOM** of the Astragal to length (Fig 7B).



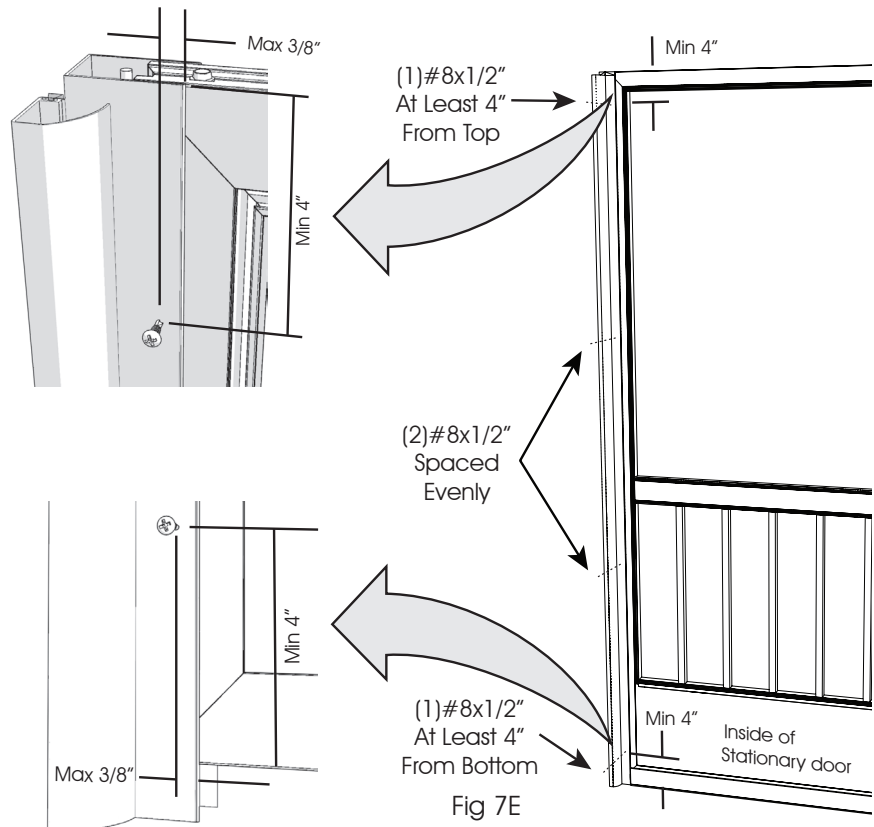
C: Set both flush bolts in the unlocked position (Top handle up and bottom handle down). Adjust the flush bolt extension rods so the tip of the rod is flush with the end of the Astragal (Fig 7C). Apply thread lock, or silicone caulk to the threads below the lock nut, and tighten the lock nut securely (Fig 7D).



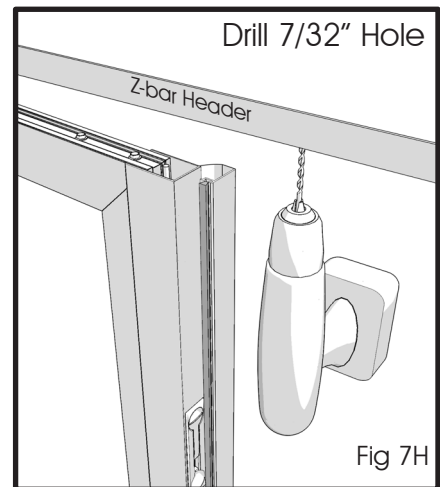
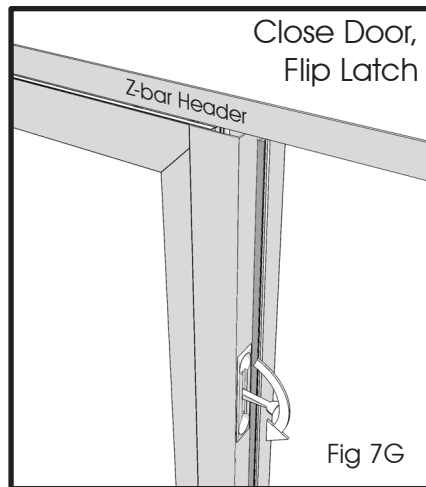
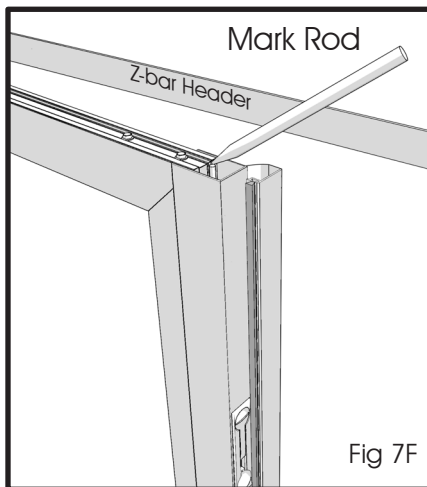
7D: Slide the Astragal onto the stationary door, flush with the top of the door frame. Close the active door and adjust the Astragal to create 3/16" reveal (7D). **Any less could cause interference with PCA's Tasman Handle.**



E: Secure Astragal with a total (4) #8x1/2" tek screws from the inside. **IMPORTANT: Stay at least 4 inches from top and bottom of door frame to avoid hitting the internal corner key!** (Fig 7E).

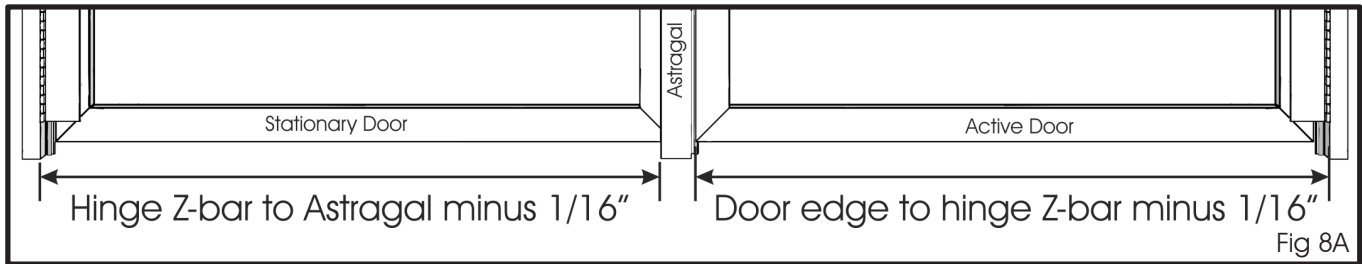


F: Mark the end of the extension rods with a grease pencil or dab of caulk, this will help to determine drill location (Fig 7F). Close the stationary door and flip the flush bolt lever to the closed position to leave a mark on the threshold and header Z-bar (Fig 7G). Use a 7/32" drill bit and carefully drill both holes (Fig 7H).

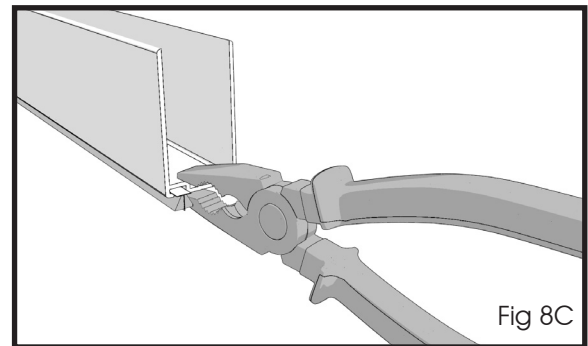
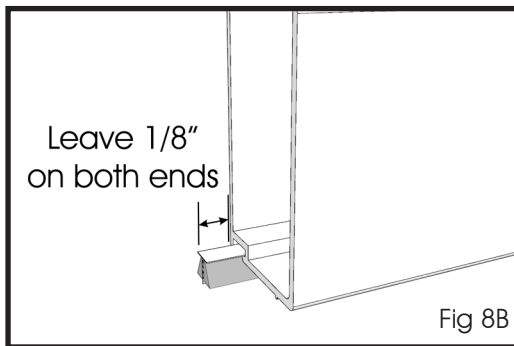


Step 8: Cut and Install Adjustable Bug Sweeps

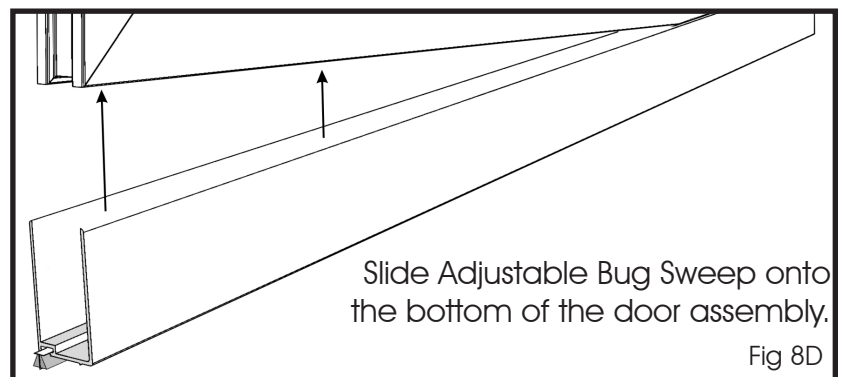
A: Close both doors. Measure both Bug Sweeps and cut to length (Fig 8A).



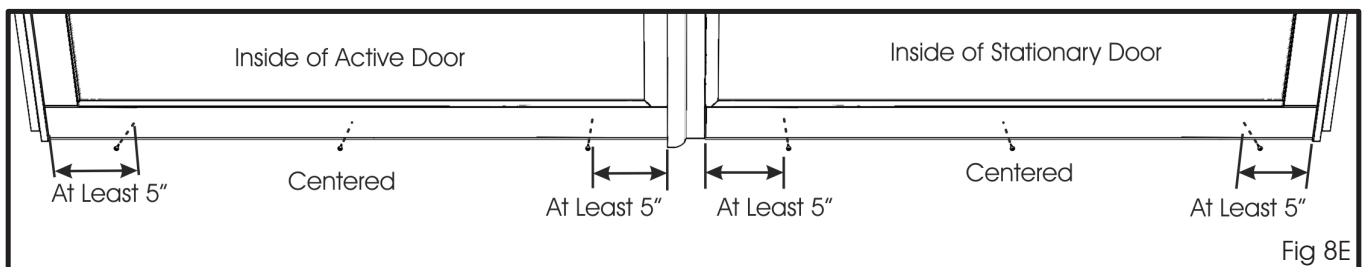
B: Insert wool pile into bug sweep and trim excess, leaving 1/8\" hanging out on each end (Fig 8B). Crimp the sweep to prevent wool pile from sliding out of place (Fig 8C). Repeat for 2nd Bug Sweep.



C: Slip the bug sweeps in place and check for proper fit along threshold (Fig 8D).



D: Attach the bug sweep from the inside using (3) #8x1/2\" per door (Fig 8E).



Step 9: Install Door Handle and Closure Tube

Follow instructions supplied with the door handle and closure assembly.