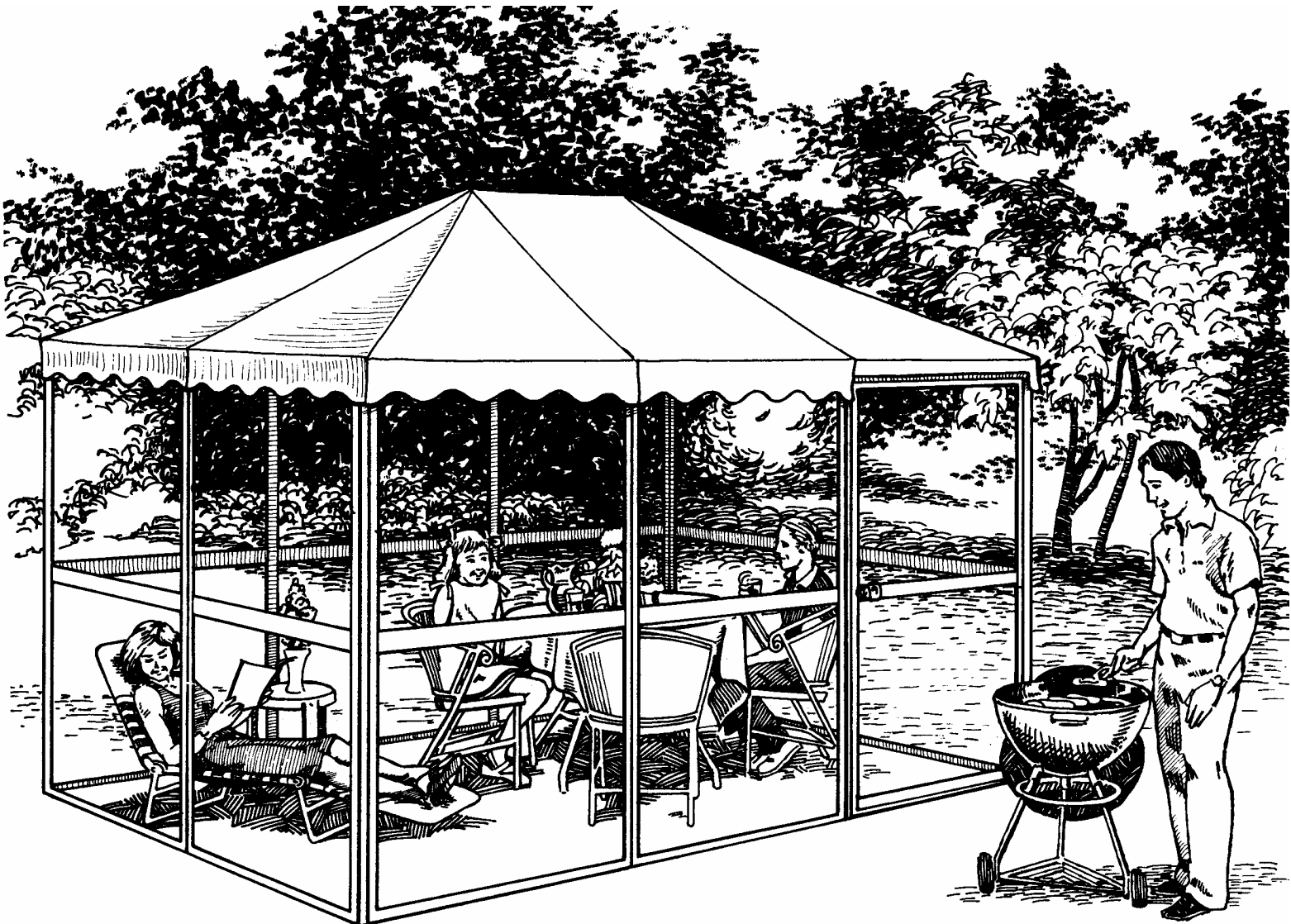


CASITA®

SCREENHOUSE

Owner's guide and assembly instructions

Rectangular Models



Safety

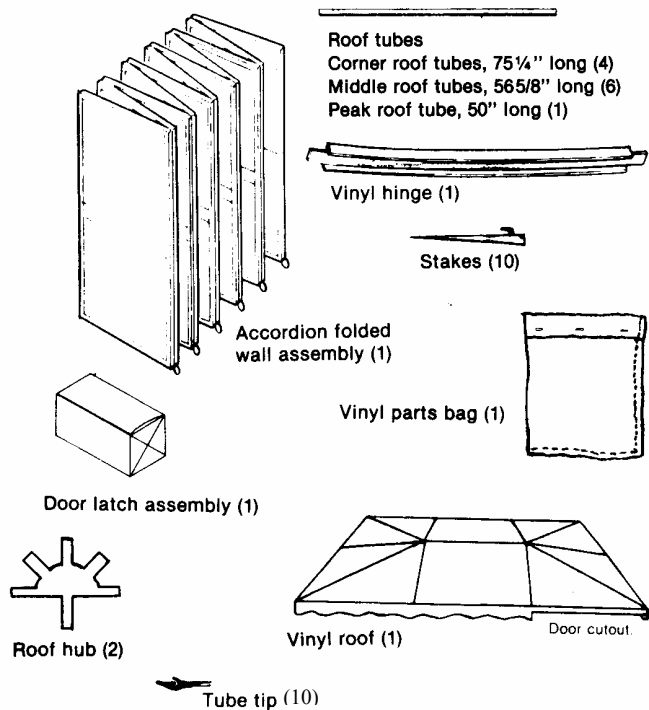
Instructions

1. Do not attempt to assemble the screenhouse under windy conditions.
2. In the event strong winds or storms are forecast, disassemble and store in a safe place. Minimum precaution requires removal of the roof.
3. While this screenhouse meets requirements for flame retardancy, keep open flames and inflammable materials outside and at a safe distance from your screenhouse.

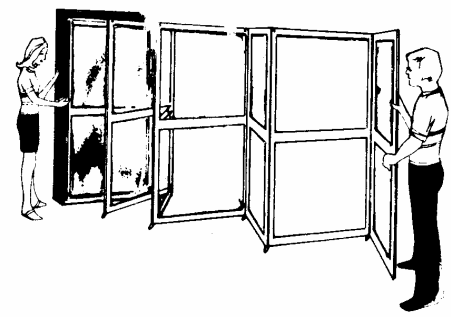
1. Prior to assembly:

Retain the packing carton for off-season storage.

- A. To safely and easily assemble the screenhouse, a minimum of two people are needed. You will need a medium sized slothead screwdriver, two 5-6 foot stepladders and a hammer.
- B. You should erect your screenhouse on as level a spot as possible.
- C. Remove the vinyl roof, roof tubes, tube tips, vinyl hinge, bag of parts and the door hardware box and inventory parts as follows:

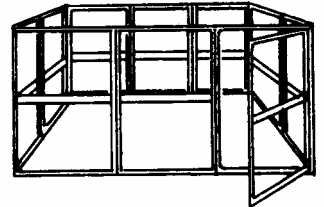


- D. Completely open vinyl roof on a flat surface, preferably in direct sunlight, to allow folds and creases to disappear.
- E. Set packing carton upright and remove wall assembly, making sure wire loops are on the ground.
- F. Unfold wall assembly like an accordion. Make certain wire loops are not snagged on adjoining wall joint. If so, do not force, but simply un snag wire loops and continue unfolding.

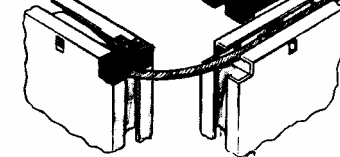


2. To assemble the wall:

- A. Form a rectangle with the walls as shown, **making sure the door opens out.**
- B. Unhook the rubber bands securing the ends of both top and bottom steel support cables.
- C. Remove the black, self-locking cable retainer from the top left corner of the door section. Use a screwdriver to depress the stud and slide the cable retainer out.

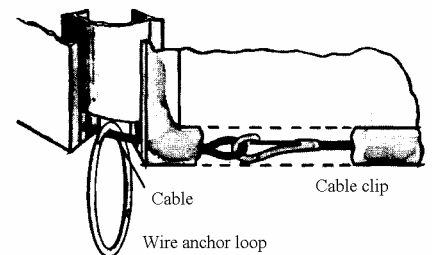


- D. Remove the black, self-locking cable retainer from the top right corner of wall section to the left of the door arm assembly.
- E. Remove the cable retainer from the lower left corner of the door section.



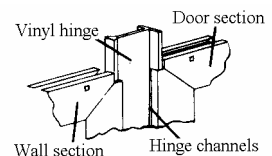
- F. Line up the left edge of the door section and right edge of adjacent wall section, so that the corners from which cable retainers have been removed are adjoining.

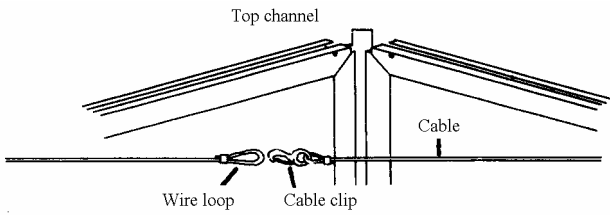
- G. Unhook the extra wire loop from the lower cable clip and locate it directly between the two panels. Connect the bottom cable and center in the bottom channel. Replace bottom retaining clip, make sure the wire loop is to the left of the retainer clip at bottom. This will be used for staking the Casita.



Note: The easiest way to replace the cable retainers is to insert the stud into the channel entrance first, and then rotate the curved leg of the retainer into the channel. Slide the retainer into the channel until the stud clicks into it's hole.

- H. Pick up the vinyl hinge. Hold one end of this hinge vertically above the hinge channels of the two adjacent sections. Slowly push edges of hinge into channels until fully inserted. The vinyl hinge will slide more easily if first dipped in water.





I. Connect rope cable ends together with clip provided and center cable in top channel. Replace two remaining cable retainer clips.

Note: When cable ends are connected the top snap will lay on top of the screen house wall. The bottom snap will have to go just outside of inside of the screen house wall.

3. To assemble the roof frame:

A. Remove roof tube tips from the parts bag.

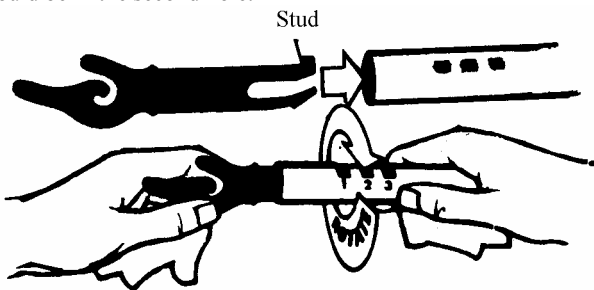
B. Insert the roof tube tips into the roof tubes (rafters):

1. To insert the tip properly, just push the plastic tip into the aluminum tube with the upraised square stud to either side of the holes. Rotate the tip until the stud snaps into place in the desired hole of the tube. You'll be able to hear it click as well as see it. Also, you will realize by now that this operation is similar to that used on the cable retainers.

2. There are three (3) square holes near the end of each tube. Notice that there is a square, upraised stud on the end of each black, molded-nylon tube tip. By inserting this stud into the first, second or third hole of the tube, you can adjust the length of the tube to allow for roof size variation and assure perfect roof fit.

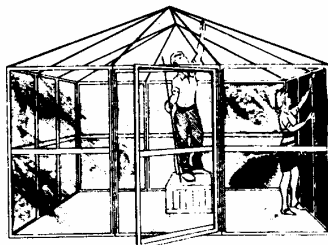
3. When you first put your new roof on your CASITA, the studs should be in the second square hole. Through use, if your roof relaxes to the point that it is baggy, the tube can be adjusted to its maximum length to compensate. If you notice that the roof is becoming hard to assemble because of shrinkage, just move the tips back to the third hole, as required, to make a proper fit.

It is important that all tips be in the same holes in all tubes for best fit. That is, if one tip is in the second hole, all remaining tips should be in the second hole.

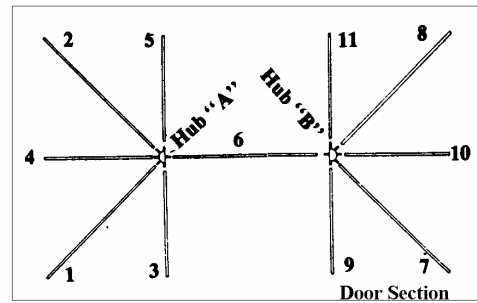


C. Enter the assembled walls, taking the spoked roof hubs and all roof tubes.

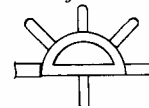
D. One person should stand on a sturdy stool or stepladder near the center of the wall assembly, holding one of the spoked roof hubs with spokes angled downward level with the top of the walls. Insert the open end of a corner roof tube (75 1/4" long) snugly on the appropriate spoke. See #1 in the diagram below.



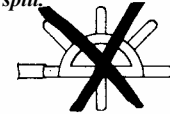
Proper sequence of assembling roof tubes



CAUTION: Make sure the roof tubes are pushed all the way on and firmly against the center hub before connecting the tubes to the retaining cable. If this is not done, the roof tube ends can split.

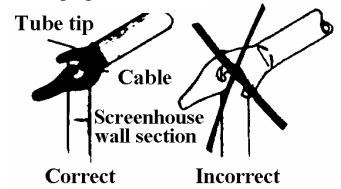


Center hub showing correct tube insertion. Tube end is tight against hub.



Incorrect roof tube insertion. Tube must be snug against hub.

E. Then a second person should hook the tube tip end under the top cable at the front, left corner. Make sure that the top flap of the vinyl hinge is properly positioned on the inside of the screenhouse where it will cover the tube tip/cable joint.



Install the corner roof tube at rear left (#2) and middle roof tubes (56 5/8" long) #3, #4 in a like manner.

F. Insert one end of the peak roof tube (50" long), #6, on roof hub "A" and insert roof hub "B" on the peak roof tube as shown in the above diagram.

Then install roof tubes off roof hub "B" by starting with corner roof tubes #7 and #8 and filling in with middle roof tubes #9, #10, and #11. Always be sure roof tubes fit snugly on roof hubs, and that the roof tips are hooked under the cable at the wall and door section joints.

IMPORTANT NOTE: It is very important that the plain Tube Tips be positioned only as shown above. Should the positioning be reversed, the roof will not be securely anchored and could blow off in moderate winds. **The cable must be located fully in the eye of the plain tube tip.**

4. To install the vinyl roof:

How to insure a firm, properly fitting roof. Please read carefully prior to installing your new screenhouse roof.

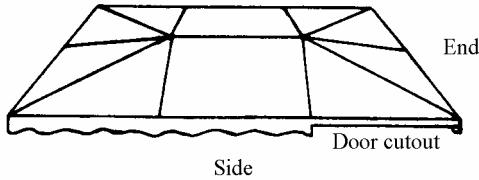
Your new screenhouse roof has been carefully engineered, fabricated and inspected to look and fit well for many years. It is made from one of the finest outdoor fabrics, consisting of vinyl layers laminated to polyester webbing.

Because the roof is hand-cut and sewn, much like a tailored suit or dress, slight variations in roof section sizes can occur. The roof is a vinyl-laminate and is not dimensionally stable, and can, under certain climatic conditions, display a slight relaxing effect. In the event that water should collect in these depressions, during heavy rain, it will be vented by the grommet drains provided in the roof. The small amount of water that may remain should be removed by standing inside the screenhouse and pushing the roof upward and outward. **Do this as soon as practical, should the need arise, as**

water standing and evaporating under direct sunlight will stain the roof permanently.

There is a predetermined shrink factor allowed for in fabricating the roof. We allow for approximately three (3) seasons of shrinkage in cutting the roof to size, after which there should be no more shrinkage. Since individual roofs vary somewhat, the fit of the roof grommets over the roof tube tips may become tighter in subsequent seasons. Assistance with considerable pull may become necessary to secure the last few grommets. To compensate for this variance, should it occur, and assure a constant good fit, the roof support tubes and tips can be adjusted to shorten the tube length as needed. In the event your roof shows abnormal shrinkage, and is hard or impossible to install, the roof tubes can be shortened by taking a hacksaw and removing 1/2-inch or whatever is required to make it fit properly, from the **hub end of each** roof tube.

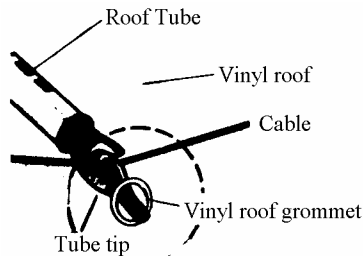
Caution: In the event strong winds or storms are forecast, remove roof of the CASITA.



A. Unfold the roof and allow it to lay in the sun for several minutes to allow time for the fabric to relax before installing the roof. Take note of the door location and the door cut out on the roof. Throw the roof over the rafters from the side, not the end. Position cut out over the door.

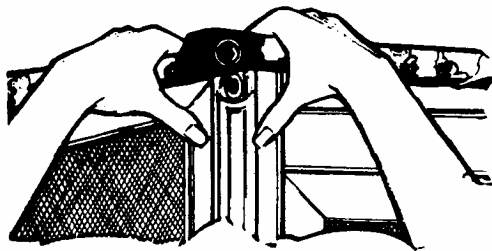
B. Secure the grommets on each side of the door cutout first, as follows:

Grasp materials and grommet with both hands, exposing underside of grommet and patch as shown. Be sure patch is spread fully. Pressing both thumbs against frame for leverage, pull top toward you and secure grommet to tip. Next, hook the 4 corner grommets.



C. Proceed to fasten balance of grommets over tips, working in a clockwise direction as follows:

Stand outside the screenhouse and grasp materials and grommets with both hands **exposing underside of grommet and circular patch**, as shown below. Be sure patch is fully spread. Pressing both thumbs against top of wall section for leverage, pull edge of vinyl toward you and secure grommet to tube tip.



The roof is fabricated to fit snugly to assure wrinkle-free fit. A strong pull may be necessary to secure last several grommets. Do not use tools; **use hands only.**

D. After the roof grommets are hooked over the tube tips, the roof should be further secured at the middle of the door assembly with the Velcro® button and patch provided. Grasp the roof edge

near the tape, pull firmly outward and downward, hold down and press inward on the roof to join the tape and button. To remove, pull outward at the very edge of the roof below the fastener.

E. It is normal for needle holes to show in the vinyl roof where it is stitched. This is because the vinyl material, unlike cloth fibers, will not contract after being pierced with a sewing needle.

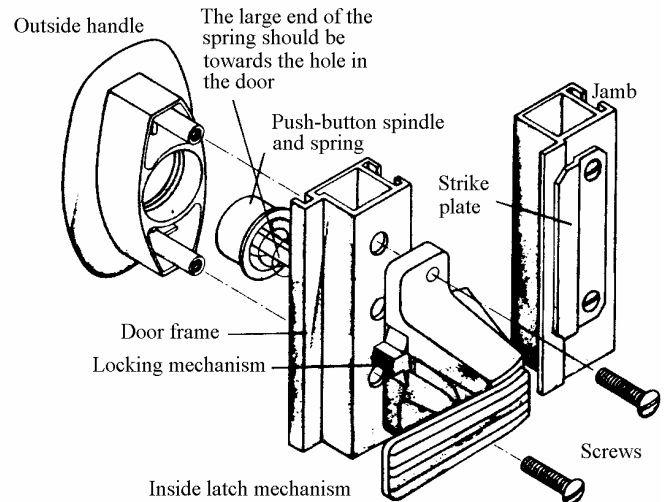
These small holes may leak water when it first starts to rain. However, the Dacron thread used to stitch the vinyl roof has a cotton wrap that expands when it gets wet, to close needle holes and stop leaks. If leak continues, treat with liquid vinyl sealant.

F. Now that the roof is completely mounted, make sure that the top flaps of the flexible-vinyl "I-Beam" hinges are properly positioned on the inside of the screenhouse, where they will cover the tube tip/cable joints.

5. To install the latch:

A. On the outside of the door you will see three holes provided for the mounting of the door latch assembly.

B. Assemble push-button spindle and spring into outside handle as shown, **making sure small end of spring is inserted into push button.**



C. Insert assembly through drilled holes from the outside of door. Position inside latch mechanism over the holes on inside of door, guiding end of push-button spindle into rectangular slot in latch. Fasten with the two machine screws provided.

D. With door in fully closed position, mount strike plate on jamb and adjust sideways to firmly engage inside latch mechanism.

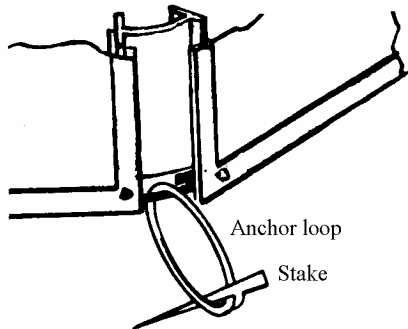
E. The door can be locked from both the inside (by pushing down the locking mechanism) and from the outside (by inserting a dime into the slot in the push button and turning to the right). No keys needed.

The door, if locked from the inside, can be opened from the outside simply by turning the push button to the left. **No key is provided.**

6. To anchor screenhouse:

A. Make certain that all walls are vertical and straight, paying special attention to the door frame.

B. The wire anchoring loops should be hooked tautly to the stakes. Drive the stakes firmly into the ground at an angle, with the sharp tip of the stake pointing toward the center of the screenhouse.



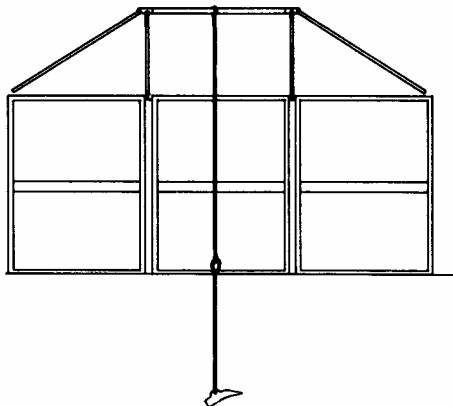
C. **Final door adjustment.** Door may bind when swinging closed due to uneven ground. This door bind may be eliminated by pulling outward on the stake loops on either side of the door, and then restaking tautly.

If this fails due to extremely uneven ground, stand outside the screenhouse facing the door and raise or lower the panel to the right of the door by removing soil or adding shims, as required.

D. Should you desire to anchor your screenhouse to a deck or concrete slab, special anchoring brackets are available (order from parts list). They should be secured with screws or expanding anchor bolts

HEAVY-DUTY ANCHOR INSTALLATION

This anchor must be used on your Casita screen house. It consists of a cable and “deadman” anchor assembly with an adjustable quick disconnect for attachment to the center rafter of the rectangular Casita. Please follow the assembly instructions included with the anchor.



Important Note: Failure to use the Heavy Duty Ground Anchor will void your warranty. If your screen house is to be attached to a deck you will need to install an anchor such as an eye bolt and use the adjustable quick disconnect.

Of course, if high winds are forecast, the roof should be removed.

It is essential that the screenhouse be properly anchored, as this will add stability to the structure.

7. To store screenhouse:

A. Disassemble your screenhouse by reversing the assembly techniques.

B. Clean the roof before storage by using a mild detergent and warm water, scrubbing with a medium-bristle brush. *Rinse thoroughly*

C. **IMPORTANT:** Be absolutely certain that the *top fabric and rib wens are thoroughly dry* before folding. Moisture, if trapped in folds, will cause rot and mildew.

D. Store your CASITA in its carton in a dry, heated place.

8. To order parts:

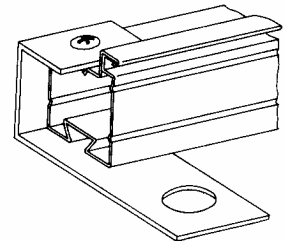
A combination parts list and parts order form is included with your screenhouse. To order parts, fill it out and send us the entire form. A duplicate form will be returned with your parts order.

All parts are sold check, money order or Visa/Mastercard with order. No COD's are accepted.

9. Accessories

ANCHOR BRACKET KIT

Used to anchor the screenhouse to a deck or patio. Sold in sets of 12.



PRIVACY PANELS

Install quickly and easily and offer protection from sun, wind, rain, provide extra privacy when desired.

One set closes off half the screenhouse. Two sets enclose it completely and turn it into a handy pool or court-side changing room.

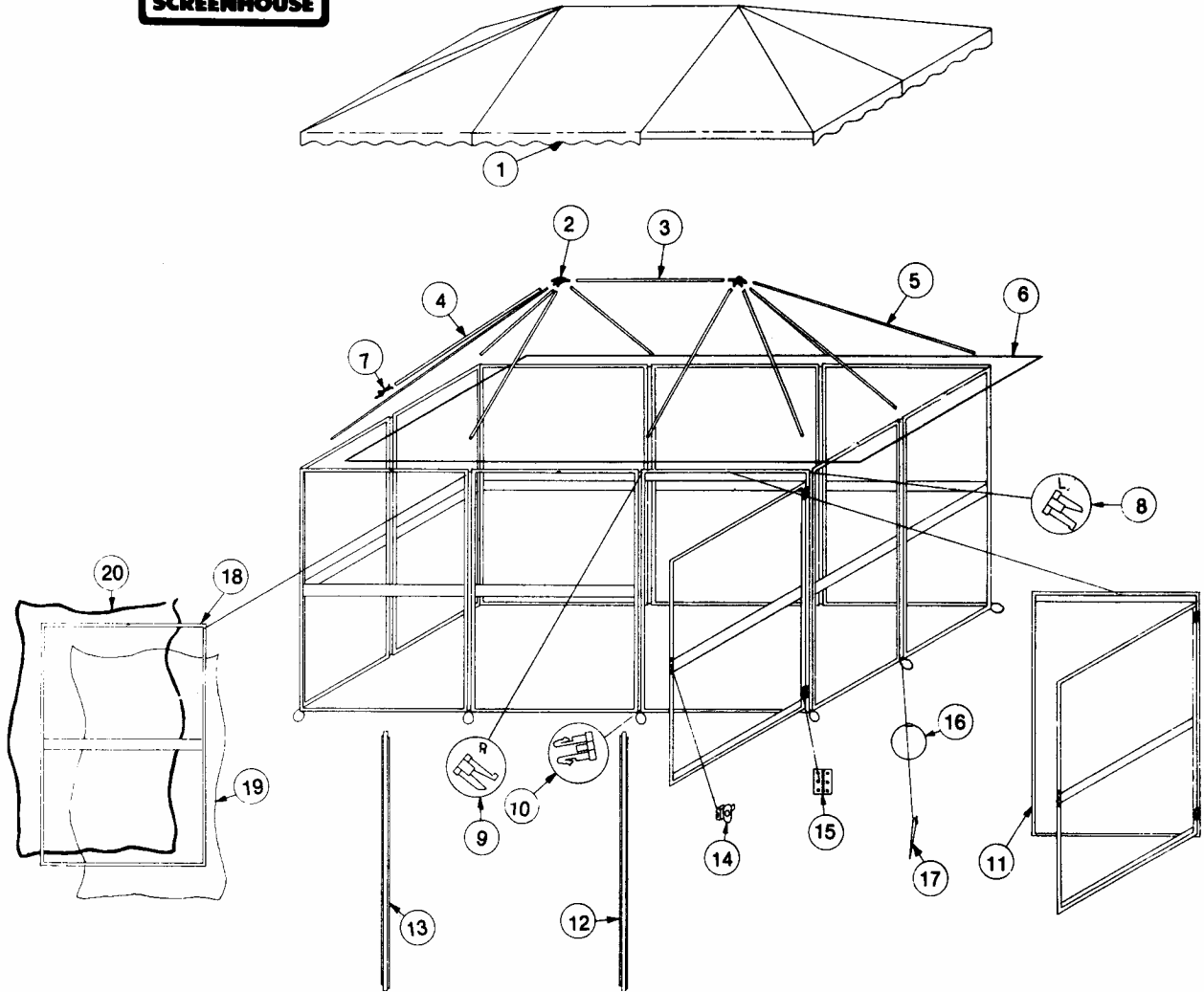
ALL ACCESSORIES CAN BE ORDERED FROM PARTS LIST.

- * Roof repair kit
- * Door screen repair kit
- * Wall screen repair kit
- * Vinyl sealant
- * Anchoring kit
- * Privacy panel sets
- * Door threshold

Note: Screenhouse is **not** designed to hold a snow load. Unit should be disassembled and stored during off-season.



SCREENHOUSE



Key No.	Description
1	Vinyl roof
2	Roof hub
3	Peak roof tube
4	Middle roof tube
5	Corner roof tube
6	Cable assembly
7	Tube tip (set of 6)
8	Cable retainer "L" for corner of door section
9	Cable retainer "R" for upper left corner of door selection
10	Cable retainer (set of 6) for wall sections

Key No.	Description
11	Door assembly complete w/screen
12	Vinyl hinge, wall to door
13	Vinyl hinge, wall to wall
14	Doorknob assembly
15	Door hinge, spring loaded
16	Stake loop
17	Stake
18	Wall panel assembly, complete w/screen
19	Replacement charcoal screen, fiberglass
20	Replacement spline (20' length-wall)

CAUTION: While CASITA meets CPAI Code 84 Requirements for Flame Retardancy, keep inflammable materials at a safe distance.

CAUTION: In the event strong winds or storms are forecast, remove roof of the Screenhouse